



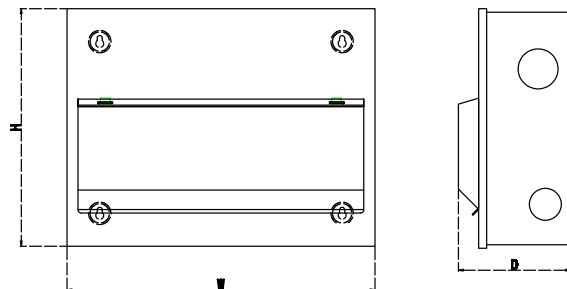
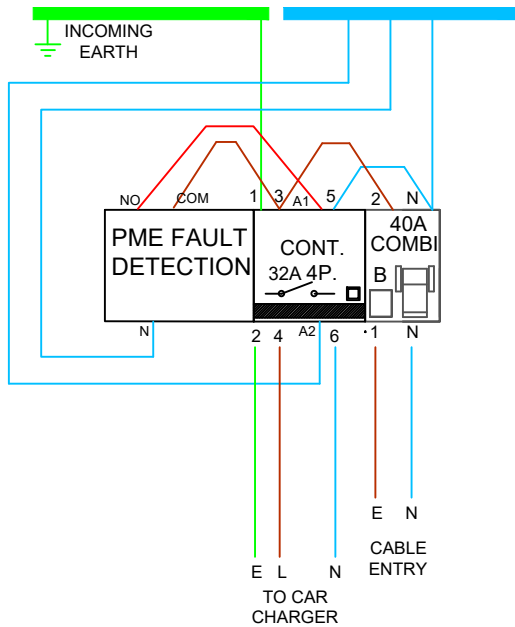
Domestic Consumer Units (18 Edition)



Technical data

G12EV40PMEDLM

Rated current	40A
Rated voltage	230 V AC
Frequency	50/60 Hz
Rated Conditional Short Circuit (Icc)	Annex ZB: 16kA rms at 250V
Main Device	40A RCBO Type A
Additional Devices	PME Fault detection & DLM Meter
Surge Protection	Optional
Degree of protection	IP40
Total number of ways	12
Total Number of free ways	0
Height..mm (H)	235
Width..mm (W)	279
Depth..mm (D)	110
Ambient temperature (C)	-25.....+55
Storage temperature (C)	-35.....+55
Terminals	25mm
Mounting on Rail	EN 60715
Standard	EN 61439-3
	Compliance with BS 7671





Dokument/document		Utgava datum/edition date
Försäkran om överensstämmelse/ Declaration of conformity		2018-06-14
Avdelning/department		
Kvalite/Quality		
Ansvarig/prepared	Version	Sida/page
Magnus Arvidsson	3	1 av/of 1

Supplier/Tillverkare: **GAROAB**
Box 203
S-335 25 GNOSJO Telephone: +46 (0)370 33 28 00
Sweden Telefax: +46 (0)370 33 28 50

Supplier established within EU/Ombud etablerad inom EG

Supplier of equipment /Materielslag : Consumer unit/Normcentral

Trade Mark/ Varumärke: GARO

Type Designation / Typbeteckning: G, GS, 4, 6, 8, 10, 12, 14,16,18, 21, 28, 32, EV, S, R,
DLM, PME, C.

We hereby declare that our product fulfils the requirements of following EC directives/
Vi intygar härmed att vår produkt uppfyller krav enligt följande EU direktiv:

- The Low Voltage Directive (LVD) 2014/35/EU / Lågspänningsdirektivet (LVD) 2014/35/EU.
- Electromagnetic compatibility (EMC) 2004/108/EU / Elektromagnetisk kompatibilitet (EMC) 2004/ 108/EG.
- RoHS Directive (RoHS) 2011/65/EU / RoHS direktivet (RoHS) 2011/65/EG.
- No electromagnetic compatibility (EMC) immunity or emission tests are required on the assembly/
Produkten innehåller inte elektroniska apparater som påverkas enligt förbehållen enligt direktivet
(EMC) 2004/108/EG.

The following harmonised standards (latest edition) or technical specifications which comply with good engineering practice in safety matters in force within the EU have been used in the design: /

Följande harmoniserade standarder (senaste utgåva) eller tekniska specifikationer som uppfyller god säkerhetsteknik praxis inom EG har använts i konstruktionen: SS EN 63439-3

The equipment conforms completely with the above stated harmonised standards or technical specifications. /
Materielen överensstämmer helt med ovan angivna harmoniserade standarder eller tekniska specifikationer.

Or/ Eller

- The equipment confirms only partially with the above stated harmonised standards or technical specifications but complies with good practice in safety matters in force within the EU. /
Materielen överensstämmer endast delvis med ovan angivna harmoniserade standarder eller tekniska specifikationer, men uppfyller god säkerhetsteknik praxis inom EG.

We have product surveillance according to CENELEC's harmonised requirements, documents CCA-201.

Garo AB
Company/Företag

2018-06-14
Date/Datum

Sign/Underskrift

Environmental- and Quality Manager/Kvalitets- och Miljöchef
Position/Befattning

Magnus Arvidsson
Name / Namnförtydligande

Single Phase EV Charger Protection unit

EU Declaration of Conformity (DoC)

Ref : SP-EVCP-10-2019

We

Company name: matt:e Ltd
Postal address: Unit 5 Common Barn Farm Tamworth Road
City: Lichfield
Postcode: WS14 9PX
Telephone number: 01543-227290
E-Mail address: info@matt-e.co.uk

Declare that this DoC is issued under the sole responsibility of the manufacturer.

Apparatus model/Product: SP-EVCP
Type: SP-EVCP

Object of the declaration

Electric Vehicle Charger Protection units	SP-EVCP
--	---------

The object of the declaration described above is in conformity with the relevant Union harmonisation legislation:

Low Voltage Directive (2014/35/EU)

The following harmonised standards and technical specifications have been applied:

EN61439-2 : Low-voltage switchgear and controlgear assemblies.
EN60947-4-1 Low-voltage switchgear and controlgear

Signed for and on behalf of: matt:e Ltd

Place of issue
Lichfield, England

Date
3 Oct 2019

J Charlton, Director

